

Identity, Credential, and Access Management (ICAM) Solution

Federal ICAM Platform Empowered on Dell Technologies

Establishing a Foundation for Zero Trust

Recently, the U.S. Government has been strengthening its approach to cybersecurity and it has identified the need for US Federal and Department of Defense Agencies to strengthen their cybersecurity frameworks with strong Zero Trust principles. The key foundation of Zero Trust is the validation of identity for users, systems, applications, and services. The implementation of a comprehensive Identity, Credential, and Access Management (ICAM) is critical to this pursuit.

Solution advantages



Lower deployment time and costs



Simplified purchasing through single product SKU



Bundled services including on-site deployment and accreditation assistance

Solution features



Rapid Onboarding



Identity services for users, services, apps



Zero-trust principle architecture

Implementing a proven ICAM Solution that can allow for gradual onboarding

Dell Technologies has teamed with industry leading partners to develop an ICAM solution that has been effectively deployed within US Federal and Department of Defense agencies.

Dell Technologies recognizes these challenges and collaborates with select partners to leverage their experience, insight and technological advantages to develop a predefined ICAM platform that can help you quickly achieve accreditation milestones for your Authority to Operate in the US Federal and DoD networks.

This ICAM platform is currently undergoing deployment in high security environments and to achieve U.S. Federal government security program accreditation. Full product offer is targeted for mid 2022.



ICAM Foundation Partners

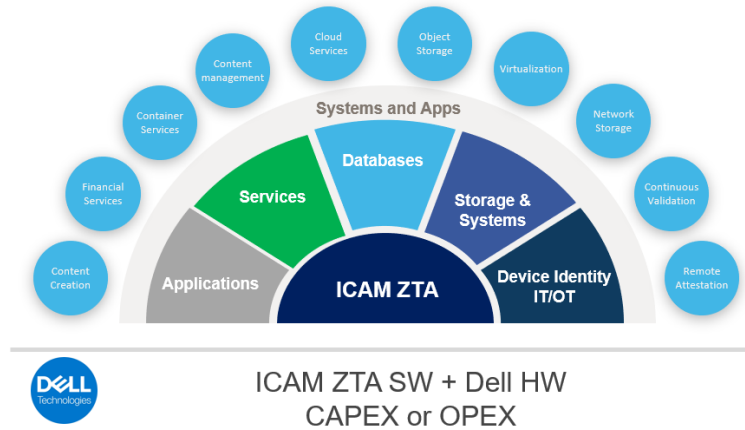
Why buy through Dell Technologies?

Dell Technologies has brought these companies and their solutions together to support the technical challenges of deploying an identity solution with a simplified single vendor purchasing path.

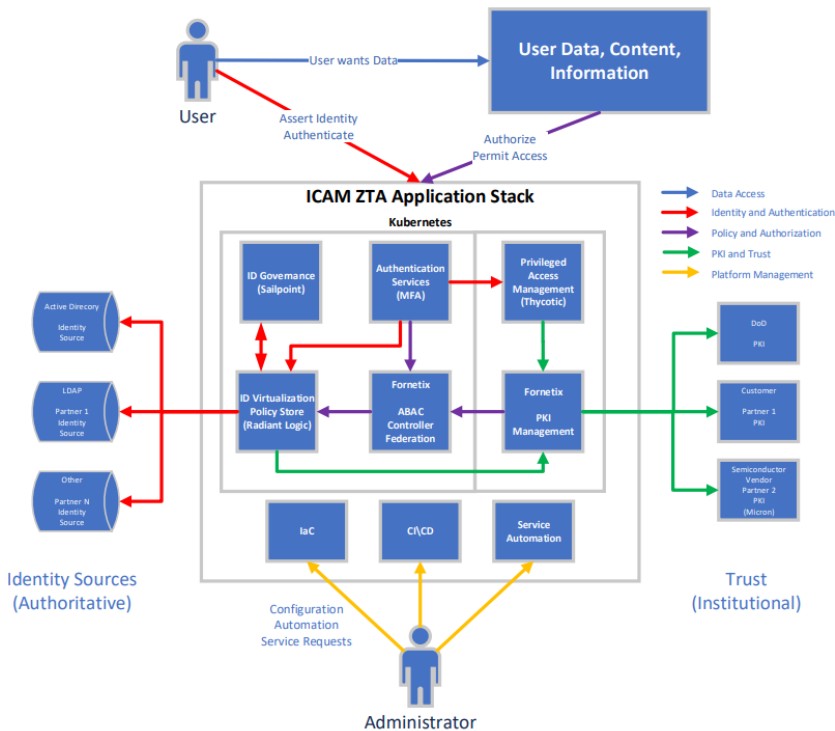
Rapid Onboarding

The ICAM solution supports component level onboarding. This allows for the flexibility to begin deployments within the data center with capabilities to bring on edge and cloud elements as the solution is expanded. This flexibility helps customers build out their ICAM based on their operational and budgetary considerations

Rapid onboarding of Applications, Services, and Infrastructure



ICAM ZTA Core Application Stack



- Application Stack based on Kubernetes
- PKI Services, ABAC Controller
- Privileged Access Management
- Identity and Data Governance
- Directory Virtualization
- Authentication Services

Additional Full Integration:

- Infrastructure as Code
- Service Automation
- CI\CD for services

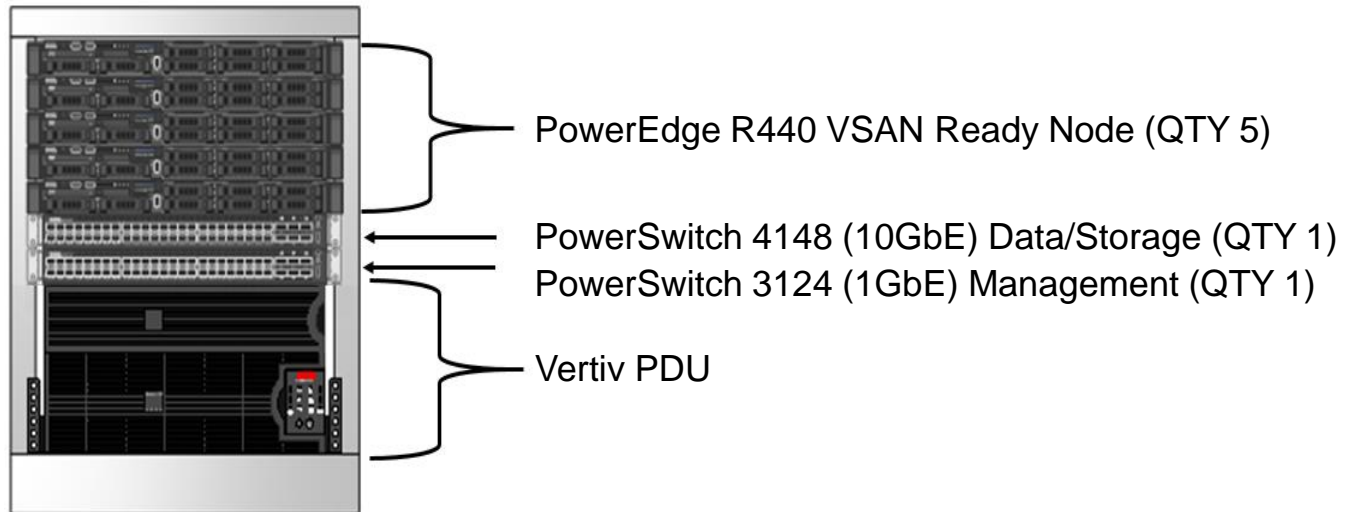
ICAM ZTA external Integration Points

- Customer PKI
- Customer Identity Sources

Package options

The ICAM solution is available in a proof of concept model that is expandable to a full network implementation from edge, through the data center and into the cloud.

ICAM Proof of Concept Stack



The ICAM POC Stack provides the necessary hardware and software for an organization to validate the functionality of the solution to meet their identity solution requirements.

- PowerEdge R440 vSAN Ready Node
 - Dual Proc 16 Core, 2 Socket, 1U, V SAN Ready Node (QTY 5)
 - 384 GB RDIMM
 - 46 TB vSAS SSD
 - 1920 GB Cache Drive
 - 3YR ProSupport Next Business Support
- Data/Storage PowerSwitch 4148 (10GbE, QTY 1)
- Management PowerSwitch 3124 (1GbE, QTY 1)
- Vertiv PDU



[Learn more](#)
about Dell Government
solutions



[Contact a Dell](#)
Technologies Expert



[View more resources](#)

[Federal Government IT](#)
[State and Local Government IT](#)

Package options

The ICAM solution is available in a proof of concept model that is expandable to a full network implementation from edge, through the data center and into the cloud.

ICAM Production Hardware Stack



PowerEdge R650 vSAN Ready Node (QTY 10)

PowerSwitch 4148 (10GbE) Data/Storage (QTY 2)

PowerSwitch 3124 (1GbE) Management (QTY 2)

Vertiv PDU

The ICAM Production Hardware Stack provides the hardware and software to support an enterprise deployment to support an organization's identity goals.

- PowerEdge R650 vSAN Ready Node
 - Dual Proc 12 Core, 2 socket, 1U, vSAN Ready Node (QTY 10)
 - 512 GB RDIMM
 - 46 TB vSAS SSD
 - 1920 GB Cache Drive
 - 3YR ProSupport Next Business Support
- Data/Storage PowerSwitch 4148 (10GbE, QTY 2)
- Management PowerSwitch 3124 (1GbE, QTY 2)
- Vertiv PDU



[Learn more](#)
about Dell Government
solutions



[Contact a Dell](#)
Technologies Expert



[View more resources](#)

[Federal Government IT](#)
[State and Local Government IT](#)